

City of Silver Lake

308 Main St W
Silver Lake, MN 55381
City: 320-327-2412 MNSPECT: 952-442-7520

COMMERCIAL PLUMBING PERMIT AND PLAN REVIEW APPLICATION

Permit Number: _____

Project (site) Address _____ Owner's Phone _____

Business Name _____ Owner's Name _____

City/State/Zip _____

Owner's Address _____

Plumbing Contractor/Designer _____ Phone _____

Address _____ City/State/Zip _____

Bond Number: _____ Plumbing License Number: _____

TYPE(S) OF WORK: New Construction Addition Remodel Replacement
 Food service/bar/lodging Hospital/Nursing Home

EST VALUATION OF WORK: \$ _____ **PROJECT DESCRIPTION:** _____

BUILDING SERVICE INFORMATION:

Sewer: New Municipal Existing Municipal New On-Site Septic Existing On-Site Septic

Water: New Municipal Existing Municipal New Private Well Existing Private Well

PLEASE INDICATE ALL FIXTURES INCLUDED IN THIS PERMIT:

- | | | |
|-----------------------------|-------------------------|---------------------------------|
| _____ Water Closet (toilet) | _____ Bathtub | _____ Floor Sink |
| _____ Lavatory (wash basin) | _____ Shower | _____ Piping/Treating Equipment |
| _____ Kitchen Sink & Disp. | _____ Dishwasher | _____ Catch Basin |
| _____ Laundry Tray | _____ Clothes Washer | _____ Vacuum Breakers |
| _____ Water Heater | _____ Water Softener | _____ Lawn Sprinkler System |
| _____ Urinal | _____ Drinking Fountain | _____ Roof Leader-Rainwater |
| _____ Rough-in Future Fix. | _____ Sump | _____ Septic Tank & Drain Field |
| _____ Misc. Fixtures | _____ Floor Drain | _____ Water Piping System |

Total Number
Of Fixtures

Signature of this application by the legal property owner or a licensed contractor, as the owner's representative is required and authorizes the Municipality Zoning Administrator or designee and the Municipality Building Official or designee to enter upon the property to perform needed inspections. Entry may be without prior notice. I hereby acknowledge that I have read this application and state that all information is true and correct to the best of my knowledge. I further agree that all work performed will be in accordance with approved plans, specifications and conditions, and to abide by all of the ordinances of the Municipality and the Laws of the State of Minnesota regarding actions taken pursuant to this permit, I agree to pay all plan review fees even if I choose not to proceed with the work. I certify that this plumbing system was designed in accordance with the Minnesota Plumbing Code (as amended) to the best of my abilities, and I agree to forward the report and plans to the installer of the system.

Signature _____

Print Signature Name _____

Date _____

Approved valuation: _____

Permit Fee	_____
Code Review	_____
State Surcharge	_____
License Look Up	_____
Other	_____
Total Permit Charge \$	_____

Permit issued by:

Date: _____

THIS PAGE MUST ACCOMPANY ALL COMMERCIAL PLUMBING PERMIT APPLICATIONS

The following checklist has been compiled to assist in expediting the commercial plan review and permit issuance process. Please take a moment to review these submittal requirements and to verify all of the necessary documentation prior to submitting your project.

PLUMBING PERMIT and PLAN REVIEW – THE FOLLOWING ITEMS ARE REQUIRED:

- Completed permit application including:
 - Site Address (including Suite #) and Business Name
 - Owner
 - Owner Address
 - Telephone Number
 - Contractor Information (if applicable)
 - Valuation of work being performed
 - Description of work being performed
 - Signature of applicant
 - Date
- 2 sets of **Signed** Plumbing Plans
- Utility Site Plan / Floor Plan / Roof Plan
- Water Riser / Soil, Waste, Vent Riser Diagrams
- Plumbing Specifications
- Copy of Plumbers License/Bond
- Complete and provide Service Water Heating Compliance Forms for compliance with the Minnesota State Energy Code (<https://www.ashrae.org/standards-research--technology/standards-forms--procedures>)

PLUMBING PLAN REVIEW – Please provide the following information:

Choose one of the following:

- Building Sewer and/or Water Service Only** (no interior plumbing is to be installed)

- Plumbing System** (Water distribution and drain/waste/vent systems within the building, and water and/or sewer service connections, if applicable).
Total DFU _____

- Interceptors/Separators** (grease interceptors, flammable water interceptors, etc...)
Number of units _____

- Storm Drainage System**
Number of internal roof drain openings _____
Number of storm water interceptors, separators, or catch basin design _____

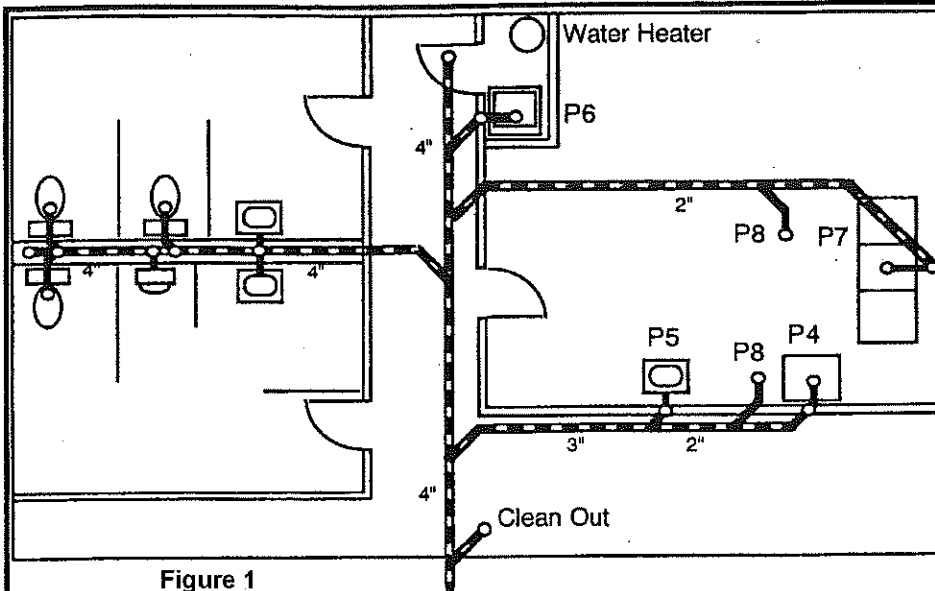
- Manufactured Home Park or Campground**
Number of sites _____

PLUMBING PLAN REVIEW REQUIREMENTS

Below is a list of requirements necessary to complete a review of plumbing systems in commercial buildings. Please read the following carefully to ensure you provide all required information to **minimize delays** in the plan review process.

1. **Utility Site Plan (if new services are to be installed):** The utility plan must show the locations, sizes and slopes of all sanitary sewer, all storm sewer, and water service piping within the property lines. If wells or sewage treatment systems will be located on the property, they must be shown on the plan so that proper isolation distances can be verified. The utility plan must indicate the pipe materials to be used for each service unless otherwise listed in the specifications. The plan must include a directional reference.
2. **Floor plan:** The floor plan must show the locations of all plumbing fixtures. The sizes and locations of all horizontal sanitary and storm piping must be shown on the plan.
3. **Water Riser Diagram:** The drawing must show an isometric view of the water distribution piping from the water service entrance to the connection to all plumbing fixtures and equipment. The plumbing fixtures, equipment connected to the water distribution system, and all pipe sizes must be clearly labeled on the drawing.
4. **Soil, Waste and Vent Riser Diagram:** The drawing must show an isometric view of the waste and vent piping within the building. All pipe sizes and fixtures must be clearly labeled on the drawing.
5. **Material Specifications:** A list of fixtures, materials, and procedures must be provided which includes the following:
 - a. A list of the fixtures and appurtenances that are connected to the potable water distribution system or that discharge to the sanitary waste system. The list must include manufacturer and model number of each plumbing fixture or appurtenance.
 - b. The type and quality standard (e.g. ASTM, ANSI, etc.) of the pipe materials to be used in the plumbing system, including the type of joints.
 - c. The pressure testing and disinfection procedures.
6. **Roof plan:** A roof plan must be provided *if roof drains will be installed that are piped inside the building*. If no internally piped roof drains will be installed, a roof plan is not necessary for plan review. A statement should be included that the roof is pitched and the building is served by scuppers.
7. **Signature:** All plumbing plans that are submitted to MNSPECT must be signed by a master plumber or a professional engineer who is registered in the State of Minnesota. **Signature and license number must be on each plan sheet.**

SAMPLE DIAGRAMS



- P1 Tank Water Closet
- P2 Lavatory
- P3 Urinal
- P4 Dishwasher
- P5 Hand Sink
- P6 Mop Sink
- P7 3-Compartment Sink
- P8 Floor Drain (without backwater valve)

Figure 1
Floor Plan

Maximum Developed Length: 40 Feet
Pressure Range: 46 - 60 psi

Individual Branches 1/2" Unless
Otherwise Noted

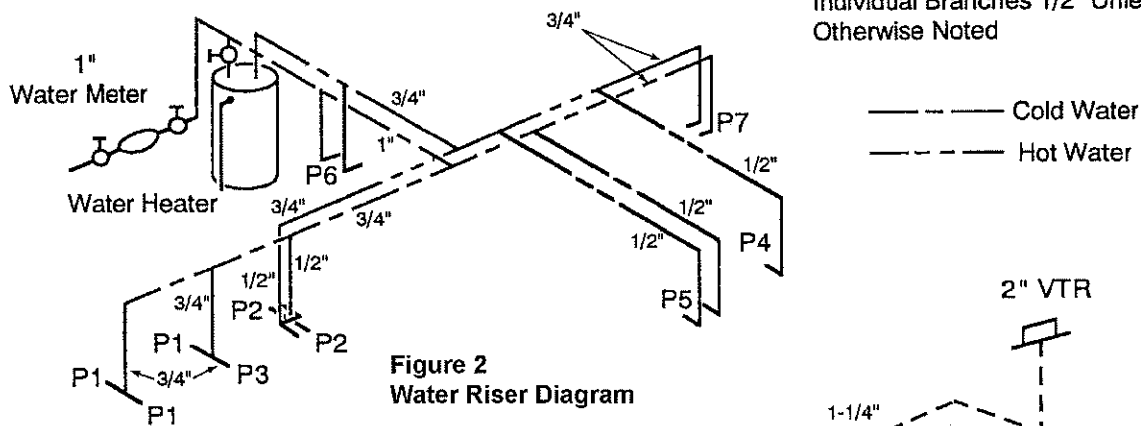


Figure 2
Water Riser Diagram

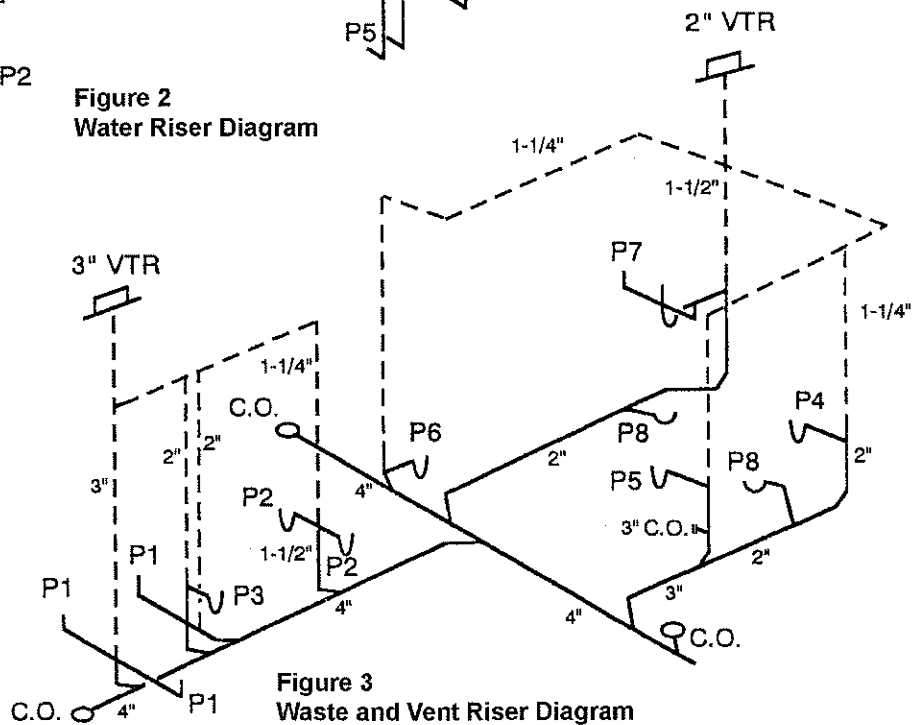


Figure 3
Waste and Vent Riser Diagram